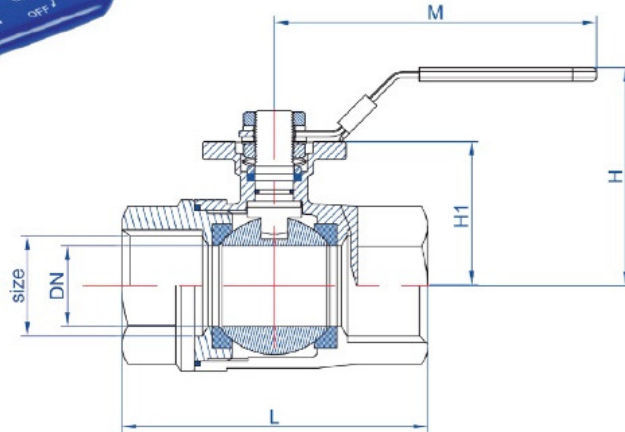


VÁLVULA ESFERA DOS PIEZAS ROSCAR PLATAFORMA DE MONTAJE
 BALL VALVE TWO PIECES WITH MOUNTING PAD FULL BORE THREADED END



INOX



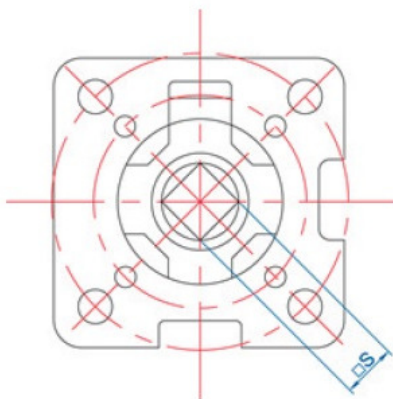
- Cuerpo y bola acero inoxidable CF8M (AISI-316)
Body and ball made of stainless steel CF8M (AISI-316)
- Asientos bola en PTFE
PTFE ball seats
- Roscas CNC H-H BSP s/ norma ISO 228 (DIN 259)
F-F CNC BSP Threads ISO 228 (DIN 259)

- Plataforma montaje directo ISO 5211
Direct mounting Pad ISO 5211.
- Presión máxima de trabajo: 63 Bar (1000 psi)
Max. Working pressure: 63 Bar (1000 psi)
- Temperatura de trabajo: -20°C / 180°C
Working temperature: -20°C / 180°C
- Paso total
Full bore

DIMENSIONES / DIMENSIONS

| CÓDIGO CODE | MEDIDA SIZE | DN DN | L L | H H | H1 H1 | M M |  |  |
|----------------|----------------|----------|--------|--------|----------|--------|---|---|
| 0917-008 | 1/4" | 11,6 | 50 | 51,5 | 36,5 | 91 | 80 | 40 |
| 0917-010 | 3/8" | 12,5 | 50 | 51,5 | 36,5 | 91 | 80 | 40 |
| 0917-015 | 1/2" | 15 | 58 | 53 | 37,8 | 100 | 60 | 30 |
| 0917-020 | 3/4" | 20 | 65 | 58 | 42,5 | 113 | 36 | 18 |
| 0917-025 | 1" | 25 | 80 | 60 | 45 | 113 | 20 | 10 |
| 0917-032 | 1 1/4" | 32 | 92 | 66,5 | 51,5 | 143 | 14 | 7 |
| 0917-040 | 1 1/2" | 38 | 105 | 74,5 | 59,5 | 143 | 8 | 4 |
| 0917-050 | 2" | 50 | 125 | 83,5 | 68,5 | 165 | 5 | 1 |

DIMENSIONES ISO 5211 / FLANGE ISO 5211 DIMENSIONS



| MEDIDA SIZE | DN DN | ISO 5211 ISO 5211 | S S | TORQUE Nm |
|----------------|----------|----------------------|--------|--------------|
| 1/4" | 8 | F03-F04 | 9x9 | 3-4 |
| 3/8" | 10 | F03-F04 | 9x9 | 3-4 |
| 1/2" | 15 | F03-F04 | 9x9 | 4-5 |
| 3/4" | 20 | F03-F04 | 9x9 | 5-7 |
| 1" | 25 | F04-F05 | 11x11 | 12-14 |
| 1 1/4" | 32 | F04-F05 | 11x11 | 12-14 |
| 1 1/2" | 40 | F05-F07 | 14x14 | 20-25 |
| 2" | 50 | F05-F07 | 14x14 | 25-30 |