

# Compressed Air Filtration

## Filter Housings Standard and Superplus

SG

### MAIN FEATURES & BENEFITS:

- Innovative filtration technology, high retention rate, low pressure loss
- Validated performance data acc. to ISO 12500-1 and ISO 12500-3, reliable achievement of compressed air quality acc. to ISO 8573-1
- Intelligent overall concept meet requirements of industrial air purification
- Flow-optimised design, minimum pressure loss for economic compressed air purification (saving of energy costs)
- Housing internally and externally coated, long-term corrosion protection
- Robust steel design with flange connection for easy installation
- Sizes 1152-3840 with bottom hinge for easy replacement of the filter elements



Version Superplus  
with bottom hinge

### INDUSTRIES



- Chemical and pharmaceutical industry



- PCB assembly and CD manufacturing



- Surface finishing



- Machine building industry and plant engineering / construction



- Energy and power generation

## PRODUCT DESCRIPTION

SG Standard housings are designed for the purification of compressed air and gases in an industrial operation. The flanged housings due to an optimized construction offer low differential pressures at high flow rates and as a standard equipped with an economizer and an electronically controlled drain. Between drain and housing a ball valve is installed.

SG Superplus housings due are as a standard equipped with an economizer and an electronically controlled drain. Between drain and housing a ball valve is installed.

A multitude of various housings with different connections, single or multiple, allow to match the requirements of the application, e.g. the compressor size. This product series offers 13 different housings ranging from a volume flow of 1080 m<sup>3</sup>/h to 38400 m<sup>3</sup>/h (related to 7 bar (ü) and 20°C).

The SG housings conforms to the requirements of the European directive 2014/29/EU or 2014/68/EU for pressure vessels.



Version  
Superplus

The SG filter is designed and developed for the following applications:

- **Central compressed air processing:**  
Pre-filter for the protection of fridge dryers, high performance coalescence filter for the removal of oil and water aerosols as well as particles
- **Adsorption dryers:**  
Pre-filter to protect adsorption dryers, dust filter downstream adsorption dryers
- **Automotive industry:**  
Purification of paint and lacquering finishing air

## Technical Data Sheet

## PRODUCT SPECIFICATIONS

| Features   | Benefits   |
|--|--|
| Validated performance data acc. to ISO 12500-1 and ISO 12500-3                           | Reliable achievement of compressed air quality acc. to ISO 8573-1  |
| Intelligent overall concept  | Flow range, filtration performance data, integrated control functions as well as automatic condensate drain perfectly meet the requirements of central and de-central compressed air applications  |
| Flow-optimised design of filter housing and filter element                               | Low pressure losses, thereby saving of energy costs  |
| Robust steel design as welded pressure vessels with flange connection                    | Easy installation and long life-time of filter housing even at extreme operating conditions  |
| Housing internally and externally coated   | Ensures long-term corrosion protection   |
| Superplus version with Economizer and electronic level-controlled condensate drain UFM-D | Economizer: Differential pressure indicator for determination of most economical for replacement of the filter element<br><br>UFM-D: No expensive compressed air losses, condensate drain depending on condensate demand, sensor detects each kind of condensate (even pure oil) |
| Sizes 1152 - 3840:<br>design with bottom hinge   | Easy replacement of the filter elements,<br>little space required for element replacement  |

| Filter Elements (for detailed performance data see separate data sheet)   |   |        |
|---|---|--------|
| PE filter<br>Particle filter  | Initial differential pressure : 0,15 bar<br>Efficiency : 100% related to 25 µm                      | 1      |
| SB filter<br>Particle filter  | Initial differential pressure : 0,12 bar<br>Efficiency : 100% bezogen auf 25 µm                     | 1      |
| AK filter<br>Activated carbon filter  | Initial differential pressure : 0,13 bar<br>Residual oil content (total) : 0,003 mg/m <sup>3</sup>  | 1<br>3 |
| FF filter<br>Coalescence filter / particle filter   | Initial differential pressure : 0,03 bar<br>Residual oil content (total) : < 0,03 mg/m <sup>3</sup> | 1<br>2 |
| MF filter<br>Coalescence filter / particle filter   | Initial differential pressure : 0,04 bar<br>Residual oil content (total) : < 0,02 mg/m <sup>3</sup> | 1<br>2 |
| SMF filter<br>Coalescence filter / particle filter  | Initial differential pressure : 0,05 bar<br>Residual oil content (total) : < 0,01 mg/m <sup>3</sup> | 1<br>2 |
| 1 related to nominal performance at 7 bar, dry condition<br>2 related to a inlet concentration of 3 mg/m <sup>3</sup><br>3 when upstream connected a MF or SMF filter |   |        |

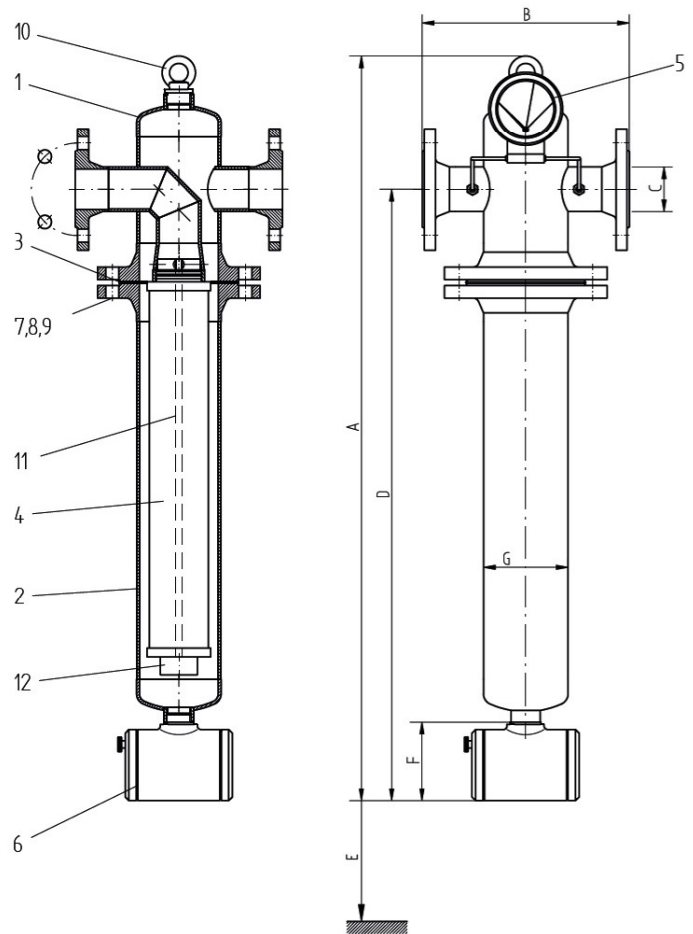
## Technical Data Sheet

MATERIALS/ DIMENSIONS

SG STANDARD 0108 - 0288

| Pos. | Stck. | Benennung          |
|------|-------|--------------------|
| 1    | 1     | Upper housing bowl |
| 2    | 1     | Lower housing bowl |
| 3    | 1     | Housing gasket     |
| 4    | 1     | Filter element     |
| 5    | 1     | Econometer         |
| 6    | 1     | Drain              |
| 7    | 1     | Hexagon bolt       |
| 8    | 1     | Hexagon nut        |
| 9    | 1     | Washer             |
| 10   | 1     | Lifting eye bolt   |
| 11   | 1     | Anchor bolt        |
| 12   | 1     | Knurled nut        |

| Materials filter housing |                                |
|--------------------------|--------------------------------|
| Filter housing           | Steel                          |
| Econometer               | Polymer                        |
| Float drain              | aluminium mold cast            |
| Sealings                 | Aramide fibers                 |
| Coating                  | Polyester resin, powder-coated |



| Technical Data               |              |
|------------------------------|--------------|
| Max. operating pressure:     | 16 bar       |
| Test pressure:               | 24 bar       |
| Perm. operating temperature: | +1°C / +50°C |
| 16 bar                       | +1°C / +65°C |
| 15 bar                       |              |

| Sizing housing | Flow rate*<br>m³/h | Volume<br>(l) | Weight**<br>(kg) | A<br>mm | B±2<br>mm | C     | D<br>mm | E<br>mm | F<br>mm | Ø G<br>mm | Element |
|----------------|--------------------|---------------|------------------|---------|-----------|-------|---------|---------|---------|-----------|---------|
| 0108           | 1080               | 7,5           | 28               | 1000    | 280       | DN 50 | 820     | 450     | 105     | 114,3     | 15/30   |
| 0144           | 1440               | 8,0           | 33               | 1000    | 280       | DN 65 | 820     | 580     | 105     | 114,3     | 20/30   |
| 0192           | 1920               | 16,0          | 40               | 1310    | 320       | DN 80 | 1120    | 850     | 105     | 139,7     | 30/30   |
| 0288           | 2880               | 23,5          | 54               | 1350    | 360       | DN 80 | 1135    | 850     | 105     | 168,3     | 30/50   |

\* Nominal flow at 7 bar g, m³/h related to 1 bar abs. and 20°C

\*\* without filter element

Technical Data Sheet

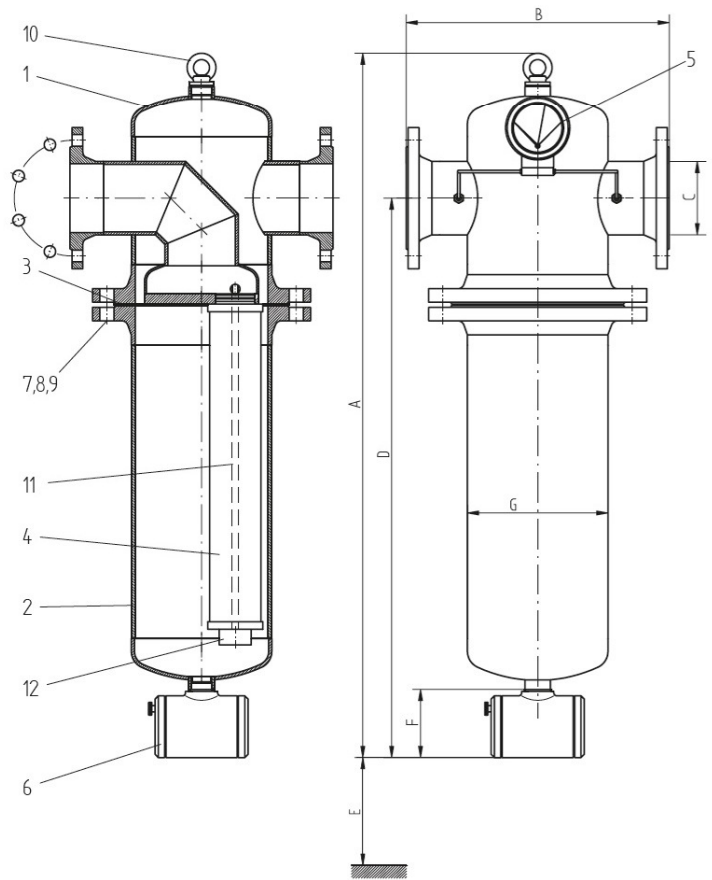


MATERIALS/ DIMENSIONS

SG STANDARD 0432 - 0768

| Pos. | Stck. | Benennung          |
|------|-------|--------------------|
| 1    | 1     | Upper housing bowl |
| 2    | 1     | Lower housing bowl |
| 3    | 1     | Housing gasket     |
| 4    | 1     | Filter element     |
| 5    | 1     | Econometer         |
| 6    | 1     | Drain              |
| 7    | 1     | Hexagon bolt       |
| 8    | 1     | Hexagon nut        |
| 9    | 1     | Washer             |
| 10   | 1     | Lifting eye bolt   |
| 11   | 1     | Anchor bolt        |
| 12   | 1     | Knurled nut        |

| Materials filter housing |                                |
|--------------------------|--------------------------------|
| Filter housing           | Steel                          |
| Econometer               | Polymer                        |
| Float drain              | aluminium mold cast            |
| Sealings                 | Aramide fibers                 |
| Coating                  | Polyester resin, powder-coated |



| Technical Data               |              |
|------------------------------|--------------|
| Max. operating pressure:     | 16 bar       |
| Test pressure:               | 24 bar       |
| Perm. operating temperature: | +1°C / +50°C |
| 16 bar                       | +1°C / +65°C |
| 15 bar                       |              |

| Sizing housing | Flow rate*<br>m³/h | Volume<br>(l) | Weight**<br>(kg) | A<br>mm | B±2<br>mm | C      | D<br>mm | E<br>mm | F<br>mm | Ø G<br>mm | Element |
|----------------|--------------------|---------------|------------------|---------|-----------|--------|---------|---------|---------|-----------|---------|
| 0432           | 4320               | 31            | 80               | 1095    | 410       | DN 100 | 870     | 580     | 105     | 219,1     | 3x20/30 |
| 0576           | 5760               | 40            | 90               | 1365    | 410       | DN 100 | 1140    | 850     | 105     | 219,1     | 3x30/30 |
| 0768           | 7680               | 70            | 130              | 1475    | 480       | DN 150 | 1210    | 875     | 105     | 273       | 4x30/30 |

\* Nominal flow at 7 bar g, m³/h related to 1 bar abs. and 20°C

\*\* without filter element

Technical Data Sheet

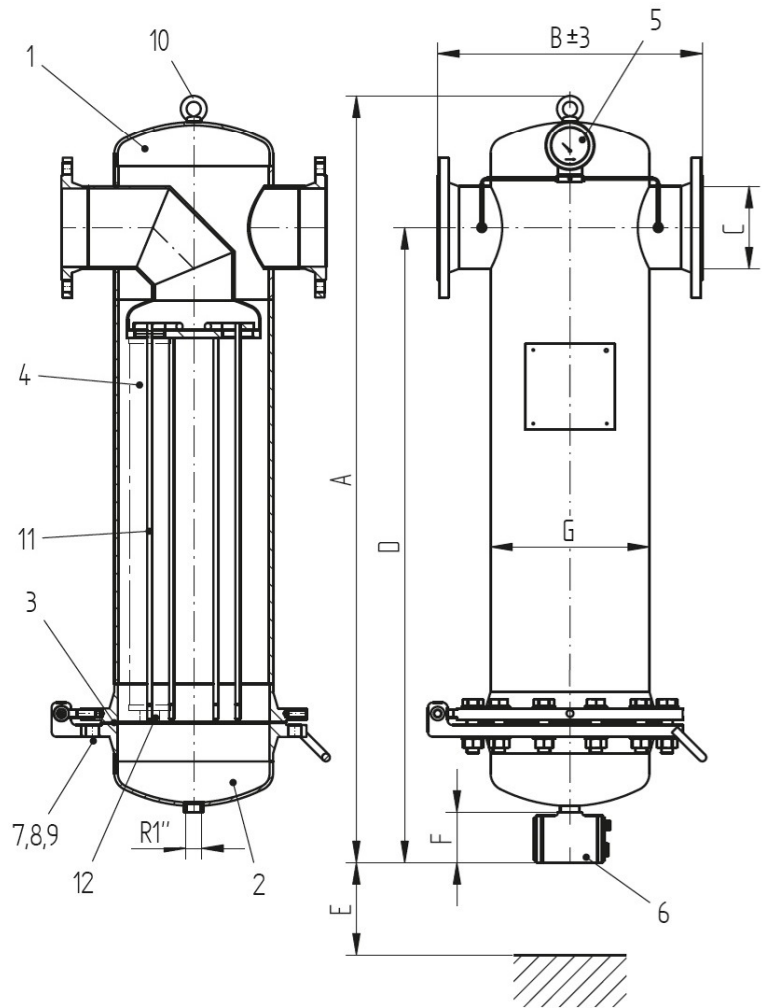


MATERIALS/ DIMENSIONS

SG STANDARD 1152 - 3840

| Pos. | Stck. | Benennung          |
|------|-------|--------------------|
| 1    | 1     | Upper housing bowl |
| 2    | 1     | Lower housing bowl |
| 3    | 1     | Housing gasket     |
| 4    | 1     | Filter element     |
| 5    | 1     | Econometer         |
| 6    | 1     | Drain              |
| 7    | 1     | Hexagon bolt       |
| 8    | 1     | Hexagon nut        |
| 9    | 1     | Washer             |
| 10   | 1     | Lifting eye bolt   |
| 11   | 1     | Anchor bolt        |
| 12   | 1     | Knurled nut        |

| Materials filter housing |                                |
|--------------------------|--------------------------------|
| Filter housing           | Steel                          |
| Econometer               | Polymer                        |
| Float drain              | aluminium mold cast            |
| Sealings                 | Aramide fibers                 |
| Coating                  | Polyester resin, powder-coated |



| Technical Data               |              |
|------------------------------|--------------|
| Max. operating pressure:     | 16 bar       |
| Test pressure:               | 22,9 bar     |
| Perm. operating temperature: | +1°C / +50°C |
| 16 bar                       | +1°C / +65°C |
| 15 bar                       |              |

| Sizing housing | Flow rate*<br>m³/h | Volume<br>(l) | Weight**<br>(kg) | A<br>mm | B<br>mm | C<br>EN 1092-1 | D<br>mm | E<br>mm | F<br>mm | Ø G<br>mm | Element  |
|----------------|--------------------|---------------|------------------|---------|---------|----------------|---------|---------|---------|-----------|----------|
| 1152           | 11520              | 107           | 166              | 1560    | 540     | DN 150         | 1300    | 875     | 105     | 323,9     | 6x30/30  |
| 1536           | 15360              | 192           | 262              | 1735    | 660     | DN 200         | 1390    | 875     | 105     | 406,4     | 8x30/30  |
| 1920           | 19200              | 192           | 262              | 1735    | 660     | DN 200         | 1390    | 875     | 105     | 406,4     | 10x30/30 |
| 2304           | 23040              | 335           | 400              | 1880    | 800     | DN 250         | 1485    | 875     | 105     | 508       | 12x30/30 |
| 3072           | 30720              | 335           | 400              | 1880    | 800     | DN 250         | 1485    | 875     | 105     | 508       | 16x30/30 |
| 3840           | 38400              | 516           | 590              | 1980    | 930     | DN 300         | 1555    | 900     | 105     | 610       | 20x30/30 |

\* Nominal flow at 7 bar g, m³/h related to 1 bar abs. and 20°C

\*\* without filter element

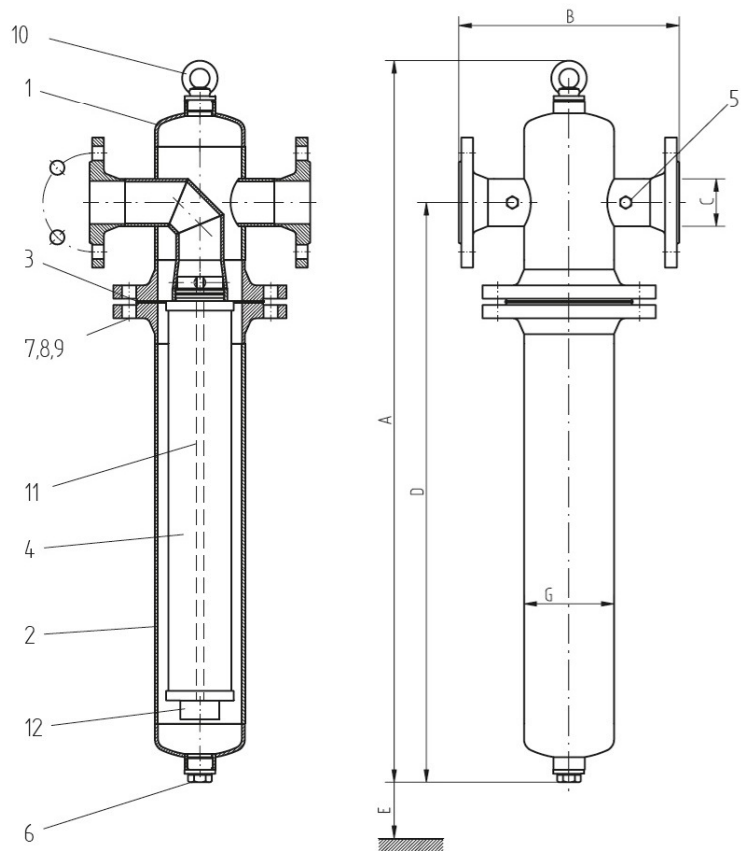
Technical Data Sheet

## MATERIALS/ DIMENSIONS

## SG STANDARD 0108 A - 0288 A

| Pos. | Stck. | Benennung          |
|------|-------|--------------------|
| 1    | 1     | Upper housing bowl |
| 2    | 1     | Lower housing bowl |
| 3    | 1     | Housing gasket     |
| 4    | 1     | Filter element     |
| 5    | 2     | Screw plug         |
| 6    | 1     | Screw plug         |
| 7    | 1     | Hexagon bolt       |
| 8    | 1     | Hexagon nut        |
| 9    | 1     | Washer             |
| 10   | 1     | Lifting eye bolt   |
| 11   | 1     | Anchor bolt        |
| 12   | 1     | Knurled nut        |

| Materials filter housing |                                |
|--------------------------|--------------------------------|
| Filter housing           | Steel                          |
| Sealings                 | Aramide fibers                 |
| Coating                  | Polyester resin, powder-coated |



| Technical Data               |                |
|------------------------------|----------------|
| Max. operating pressure:     | 16 bar         |
| Test pressure:               | 24 bar         |
| Perm. operating temperature: | -20°C / +50°C  |
| 16 bar                       | -20°C / +65°C  |
| 15 bar                       | -20°C / +120°C |
| 13 bar                       |                |

| Sizing housing | Flow rate*<br>m³/h | Volume<br>(l) | Weight**<br>(kg) | A<br>mm | B±2<br>mm | C     | D<br>mm | E<br>mm | Ø G<br>mm | Element |
|----------------|--------------------|---------------|------------------|---------|-----------|-------|---------|---------|-----------|---------|
| 0108           | 1080               | 7,5           | 26,5             | 910     | 280       | DN 50 | 730     | 450     | 114,3     | 15/30   |
| 0144           | 1440               | 8,0           | 30,5             | 910     | 280       | DN 65 | 730     | 580     | 114,3     | 20/30   |
| 0192           | 1920               | 16,0          | 37,5             | 1220    | 320       | DN 80 | 1030    | 850     | 139,7     | 30/30   |
| 0288           | 2880               | 23,5          | 51,5             | 1260    | 360       | DN 80 | 1045    | 850     | 168,3     | 30/50   |

\* Nominal flow at 7 bar g, m³/h related to 1 bar abs. and 20°C

\*\* without filter element

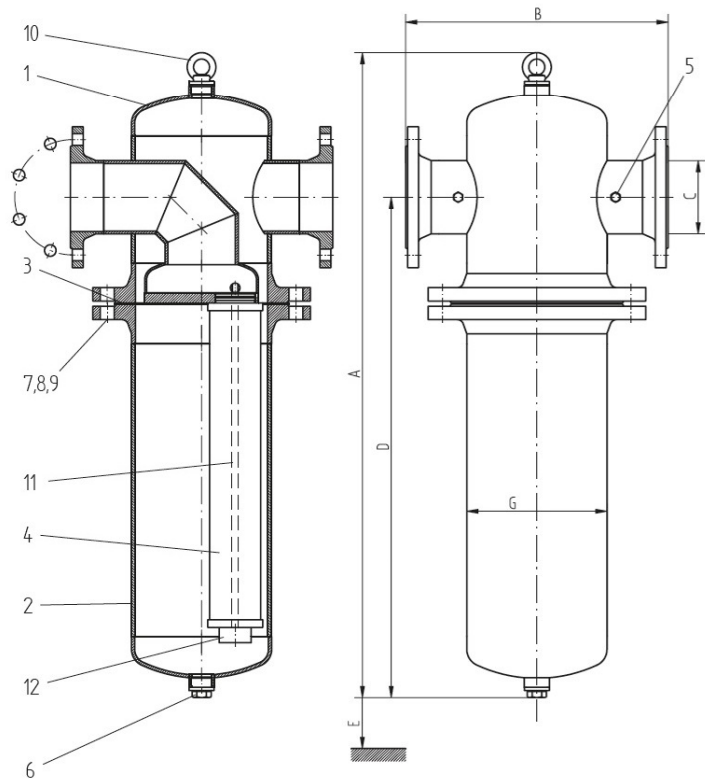
## Technical Data Sheet

MATERIALS/ DIMENSIONS

SG STANDARD 0432 A - 0768 A

| Pos. | Stck. | Benennung          |
|------|-------|--------------------|
| 1    | 1     | Upper housing bowl |
| 2    | 1     | Lower housing bowl |
| 3    | 1     | Housing gasket     |
| 4    | 1     | Filter element     |
| 5    | 2     | Screw plug         |
| 6    | 1     | Screw plug         |
| 7    | 1     | Hexagon bolt       |
| 8    | 1     | Hexagon nut        |
| 9    | 1     | Washer             |
| 10   | 1     | Lifting eye bolt   |
| 11   | 1     | Anchor bolt        |
| 12   | 1     | Knurled nut        |

| Materials filter housing |                                |
|--------------------------|--------------------------------|
| Filter housing           | Steel                          |
| Sealings                 | Aramide fibers                 |
| Coating                  | Polyester resin, powder-coated |



| Technical Data               |                |
|------------------------------|----------------|
| Max. operating pressure:     | 16 bar         |
| Test pressure:               | 24 bar         |
| Perm. operating temperature: | -20°C / +50°C  |
| 16 bar                       | -20°C / +65°C  |
| 15 bar                       | -20°C / +120°C |
| 13 bar                       |                |

| Sizing housing | Flow rate*<br>m³/h | Volume<br>(l) | Weight**<br>(kg) | A<br>mm | B±2<br>mm | C<br>DIN 2633 | D<br>mm | E<br>mm | Ø G<br>mm | Element |
|----------------|--------------------|---------------|------------------|---------|-----------|---------------|---------|---------|-----------|---------|
| 0432           | 4320               | 31            | 77,5             | 1005    | 410       | DN 100        | 780     | 580     | 219,1     | 3x20/30 |
| 0576           | 5760               | 40            | 87,5             | 1275    | 410       | DN 100        | 1050    | 850     | 219,1     | 3x30/30 |
| 0768           | 7680               | 70            | 127,5            | 1385    | 480       | DN 150        | 1120    | 875     | 273       | 4x30/30 |

\* Nominal flow at 7 bar g, m³/h related to 1 bar abs. and 20°C

\*\* without filter element

Technical Data Sheet



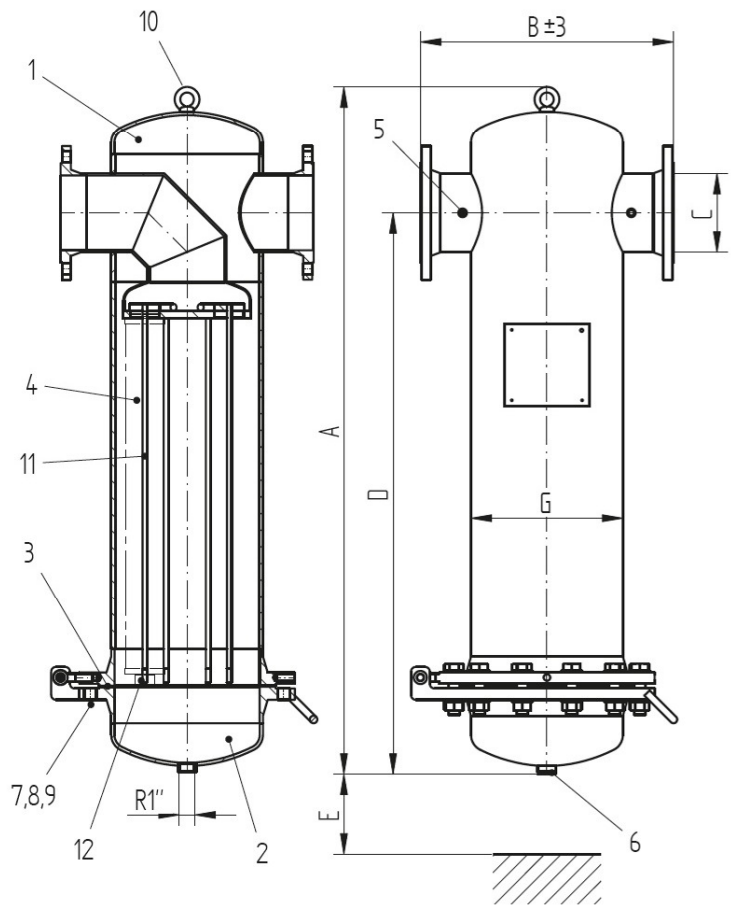


MATERIALS/ DIMENSIONS

SG STANDARD 1152 A - 3840 A

| Pos. | Stck. | Benennung          |
|------|-------|--------------------|
| 1    | 1     | Upper housing bowl |
| 2    | 1     | Lower housing bowl |
| 3    | 1     | Housing gasket     |
| 4    | 1     | Filter element     |
| 5    | 2     | Screw plug         |
| 6    | 1     | Screw plug         |
| 7    | 1     | Hexagon bolt       |
| 8    | 1     | Hexagon nut        |
| 9    | 1     | Washer             |
| 10   | 1     | Lifting eye bolt   |
| 11   | 1     | Anchor bolt        |
| 12   | 1     | Knurled nut        |

| Materials filter housing |                                |
|--------------------------|--------------------------------|
| Filter housing           | Steel                          |
| Sealings                 | Aramide fibers                 |
| Coating                  | Polyester resin, powder-coated |



| Technical Data               |                |
|------------------------------|----------------|
| Max. operating pressure:     | 16 bar         |
| Test pressure:               | 22,9 bar       |
| Perm. operating temperature: | -20°C / +50°C  |
| 16 bar                       | -20°C / +65°C  |
| 15 bar                       | -20°C / +120°C |
| 13 bar                       |                |

| Sizing housing | Flow rate*<br>m³/h | Volume<br>(l) | Weight**<br>(kg) | A<br>mm | B<br>mm | C<br>EN 1092-1 | D<br>mm | E<br>mm | Ø G<br>mm | Element  |
|----------------|--------------------|---------------|------------------|---------|---------|----------------|---------|---------|-----------|----------|
| 1152           | 11520              | 107           | 164              | 1470    | 540     | DN 150         | 1210    | 875     | 323,9     | 6x30/30  |
| 1536           | 15360              | 192           | 260              | 1645    | 660     | DN 200         | 1300    | 875     | 406,4     | 8x30/30  |
| 1920           | 19200              | 192           | 260              | 1645    | 660     | DN 200         | 1300    | 875     | 406,4     | 10x30/30 |
| 2304           | 23040              | 335           | 398              | 1790    | 800     | DN 250         | 1395    | 875     | 508       | 12x30/30 |
| 3072           | 30720              | 335           | 398              | 1790    | 800     | DN 250         | 1395    | 875     | 508       | 16x30/30 |
| 3840           | 38400              | 516           | 588              | 1890    | 930     | DN 300         | 1465    | 900     | 610       | 20x30/30 |

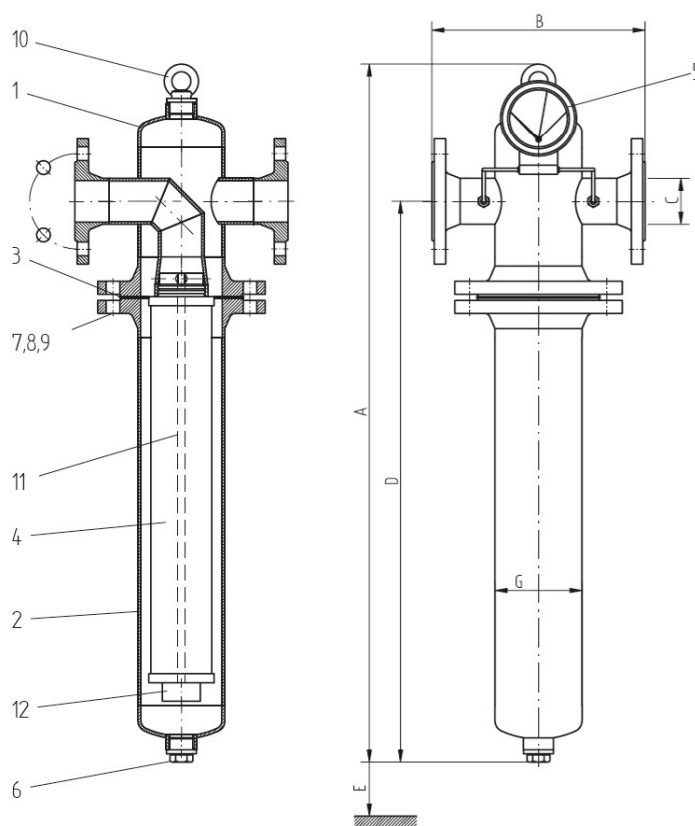
\* Nominal flow at 7 bar g, m³/h related to 1 bar abs. and 20°C

\*\* without filter element

## MATERIALS/ DIMENSIONS

## SG STANDARD 0108 S - 0288 S

| Pos. | Pcs. | Description        |
|------|------|--------------------|
| 1    | 1    | Upper housing bowl |
| 2    | 1    | Lower housing bowl |
| 3    | 1    | Housing gasket     |
| 4    | 1    | Filter element     |
| 5    | 1    | Econometer         |
| 6    | 1    | Screw plug         |
| 7    | 1    | Hexagon bolt       |
| 8    | 1    | Hexagon nut        |
| 9    | 1    | Washer             |
| 10   | 1    | Lifting eye bolt   |
| 11   | 1    | Anchor bolt        |
| 12   | 1    | Knurled nut        |



| Materials filter housing |                                |
|--------------------------|--------------------------------|
| Filter housing           | Steel                          |
| Econometer               | Polymer                        |
| Sealings                 | Aramide fibers                 |
| Coating                  | Polyester resin, powder-coated |

| Technical Data               |               |
|------------------------------|---------------|
| Max. operating pressure:     | 16 bar        |
| Test pressure:               | 24 bar        |
| Perm. operating temperature: | -10°C / +50°C |
| 16 bar                       | -10°C / +65°C |
| 15 bar                       |               |

| Sizing housing | Flow rate*<br>m <sup>3</sup> /h | Volume<br>(l) | Weight**<br>(kg) | A<br>mm | B±2<br>mm | C     | D<br>mm | E<br>mm | Ø G<br>mm | Element |
|----------------|---------------------------------|---------------|------------------|---------|-----------|-------|---------|---------|-----------|---------|
| 0108           | 1080                            | 7,5           | 26,5             | 910     | 280       | DN 50 | 730     | 450     | 114,3     | 15/30   |
| 0144           | 1440                            | 8,0           | 31,5             | 910     | 280       | DN 65 | 730     | 580     | 114,3     | 20/30   |
| 0192           | 1920                            | 16,0          | 38,5             | 1220    | 320       | DN 80 | 1030    | 850     | 139,7     | 30/30   |
| 0288           | 2880                            | 23,5          | 52,5             | 1260    | 360       | DN 80 | 1045    | 850     | 168,3     | 30/50   |

\* Nominal flow at 7 bar g, m<sup>3</sup>/h related to 1 bar abs. and 20°C

\*\* without filter element

## Technical Data Sheet

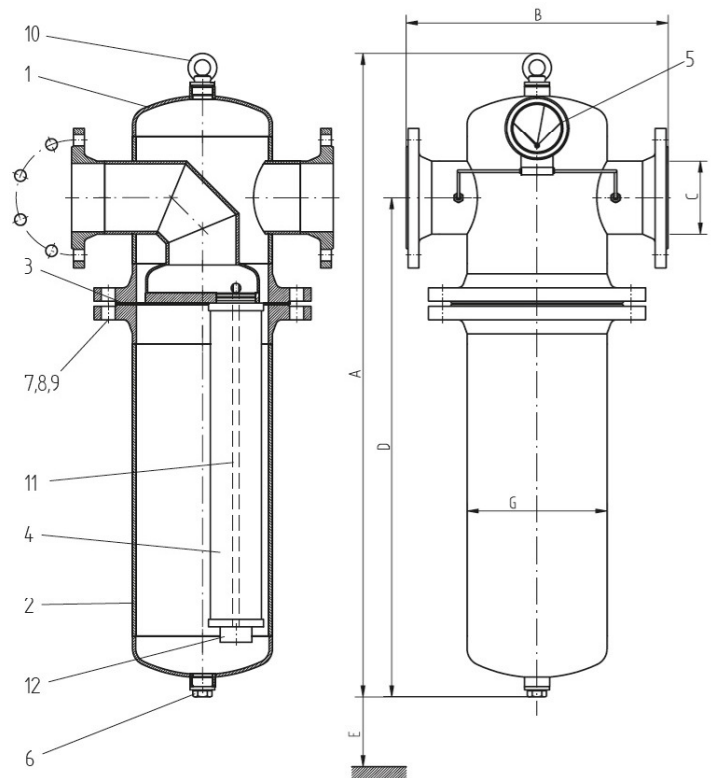


MATERIALS/ DIMENSIONS

SG STANDARD 0432 S - 0768 S

| Pos. | Pcs. | Description        |
|------|------|--------------------|
| 1    | 1    | upper housing bowl |
| 2    | 1    | lower housing bowl |
| 3    | 1    | housing gasket     |
| 4    | 1    | filter element     |
| 5    | 1    | Econometer         |
| 6    | 1    | Screw plug         |
| 7    | 1    | hexagon bolt       |
| 8    | 1    | hexagon nut        |
| 9    | 1    | washer             |
| 10   | 1    | lifting eye bolt   |
| 11   | 1    | anchor bolt        |
| 12   | 1    | knurled nut        |

| Materials filter housing |                                |
|--------------------------|--------------------------------|
| Filter housing           | Steel                          |
| Econometer               | Polymer                        |
| Sealings                 | Aramide fibers                 |
| Coating                  | Polyester resin, powder-coated |



| Technical Data               |               |
|------------------------------|---------------|
| Max. operating pressure:     | 16 bar        |
| Test pressure:               | 24 bar        |
| Perm. operating temperature: | -10°C / +50°C |
| 16 bar                       | -10°C / +65°C |
| 15 bar                       |               |

| Sizing housing | Flow rate* m³/h | Volume (l) | Weight** (kg) | A mm | B±2 mm | C DIN 2633 | D mm | E mm | Ø G mm | Element |
|----------------|-----------------|------------|---------------|------|--------|------------|------|------|--------|---------|
| 0432           | 4320            | 31         | 78,5          | 1005 | 410    | DN 100     | 780  | 580  | 219,1  | 3x20/30 |
| 0576           | 5760            | 40         | 88,5          | 1275 | 410    | DN 100     | 1050 | 850  | 219,1  | 3x30/30 |
| 0768           | 7680            | 70         | 128,5         | 1385 | 480    | DN 150     | 1120 | 875  | 273    | 4x30/30 |

\* Nominal flow at 7 bar g, m³/h related to 1 bar abs. and 20°C

\*\* without filter element

Technical Data Sheet

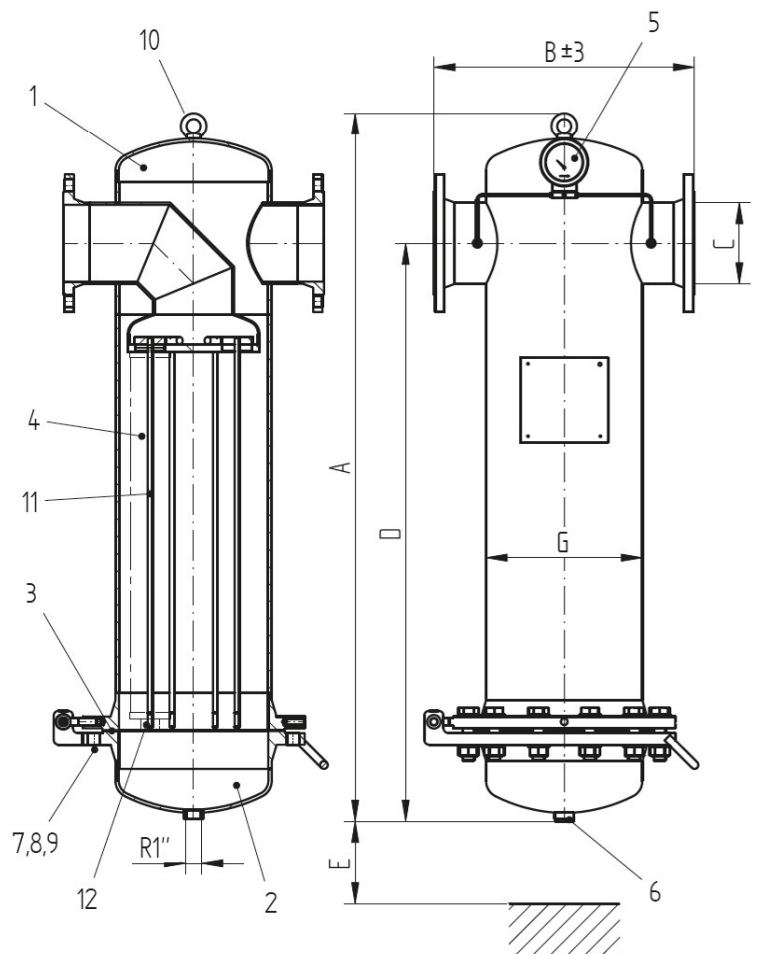


MATERIALS/ DIMENSIONS

SG STANDARD 1152 S - 3840 S

| Pos. | Pcs. | Description        |
|------|------|--------------------|
| 1    | 1    | Upper housing bowl |
| 2    | 1    | Lower housing bowl |
| 3    | 1    | Housing gasket     |
| 4    | 1    | Filter element     |
| 5    | 1    | Econometer         |
| 6    | 1    | Screw plug         |
| 7    | 1    | Hexagon bolt       |
| 8    | 1    | Hexagon nut        |
| 9    | 1    | Washer             |
| 10   | 1    | Lifting eye bolt   |
| 11   | 1    | Anchor bolt        |
| 12   | 1    | Knurled nut        |

| Materials filter housing |                                |
|--------------------------|--------------------------------|
| Filter housing           | Steel                          |
| Econometer               | Polymer                        |
| Sealings                 | Aramide fibers                 |
| Coating                  | Polyester resin, powder-coated |



| Technical Data               |               |
|------------------------------|---------------|
| Max. operating pressure:     | 16 bar        |
| Test pressure:               | 22,9 bar      |
| Perm. operating temperature: | -10°C / +50°C |
| 16 bar                       | -10°C / +65°C |
| 15 bar                       |               |

| Sizing housing | Flow rate* m³/h | Volume (l) | Weight** (kg) | A mm | B mm | C EN 1092-1 | D mm | E mm | Ø G mm | Element  |
|----------------|-----------------|------------|---------------|------|------|-------------|------|------|--------|----------|
| 1152           | 11520           | 107        | 164           | 1470 | 540  | DN 150      | 1210 | 875  | 323,9  | 6x30/30  |
| 1536           | 15360           | 192        | 260           | 1645 | 660  | DN 200      | 1300 | 875  | 406,4  | 8x30/30  |
| 1920           | 19200           | 192        | 260           | 1645 | 660  | DN 200      | 1300 | 875  | 406,4  | 10x30/30 |
| 2304           | 23040           | 335        | 398           | 1790 | 800  | DN 250      | 1395 | 875  | 508    | 12x30/30 |
| 3072           | 30720           | 335        | 398           | 1790 | 800  | DN 250      | 1395 | 875  | 508    | 16x30/30 |
| 3840           | 38400           | 516        | 588           | 1890 | 930  | DN 300      | 1465 | 900  | 610    | 20x30/30 |

\* Nominal flow at 7 bar g, m³/h related to 1 bar abs. and 20°C

\*\* without filter element

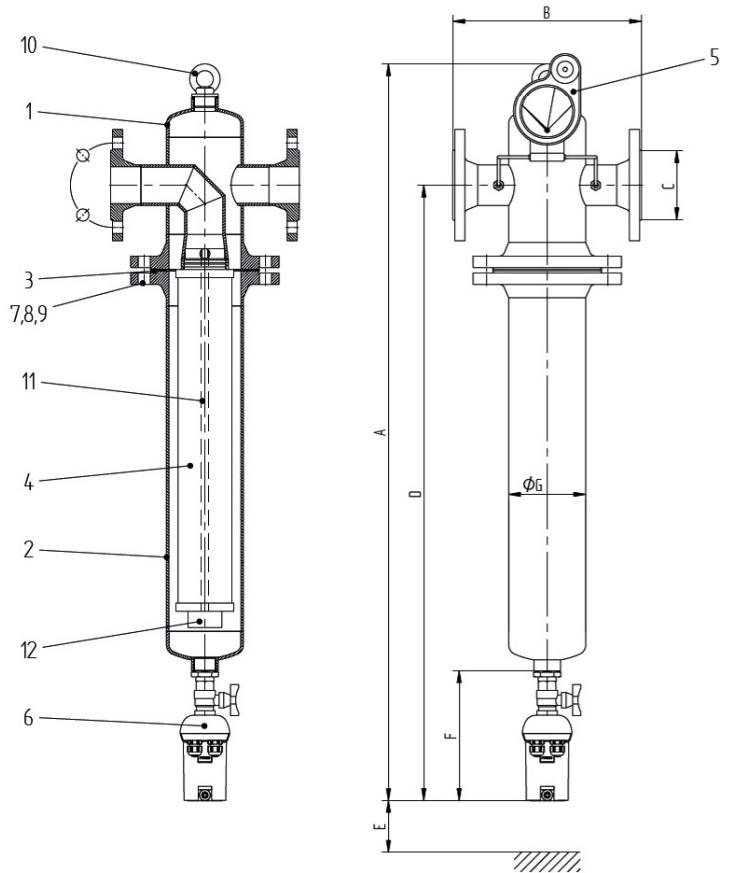
Technical Data Sheet



MATERIALS/ DIMENSIONS

SG SUPERPLUS 0108 SP - 0288 SP

| Pos. | Pcs. | Description        |
|------|------|--------------------|
| 1    | 1    | Upper housing bowl |
| 2    | 1    | Lower housing bowl |
| 3    | 1    | Housing gasket     |
| 4    | 1    | Filter element     |
| 5    | 1    | Economizer         |
| 6    | 1    | Drain UFM-D        |
| 7    | 1    | Hexagon bolt       |
| 8    | 1    | Hexagon nut        |
| 9    | 1    | Washer             |
| 10   | 1    | Lifting eye bolt   |
| 11   | 1    | Anchor bolt        |
| 12   | 1    | Knurled nut        |



| Materials filter housing |  |
|--------------------------|--|
| Filter housing           | Steel                                      |
| Economizer               | Polymer                                    |
| Condensate drain         | Aluminium / fiber-glass reinforced plastic |
| Sealings                 | Aramide fibers                             |
| Coating                  | Polyester resin, powder-coated             |

| Technical Data               |              |
|------------------------------|--------------|
| Max. operating pressure:     | 16 bar       |
| Test pressure:               | 24 bar       |
| Perm. operating temperature: | +1°C / +50°C |
| 16 bar                       | +1°C / +65°C |
| 15 bar                       |              |

| Sizing housing | Flow rate*<br>m³/h | Volume<br>(l) | Weight**<br>(kg) | A<br>mm | B±2<br>mm | C     | D<br>mm | E<br>mm | F<br>mm | Ø G<br>mm | Element |
|----------------|--------------------|---------------|------------------|---------|-----------|-------|---------|---------|---------|-----------|---------|
| 0108           | 1080               | 7,5           | 27,8             | 1090    | 280       | DN 50 | 910     | 450     | 195     | 114,3     | 15/30   |
| 0144           | 1440               | 8,0           | 32,8             | 1090    | 280       | DN 65 | 910     | 580     | 195     | 114,3     | 20/30   |
| 0192           | 1920               | 16,0          | 39,8             | 1400    | 320       | DN 80 | 1210    | 850     | 195     | 139,7     | 30/30   |
| 0288           | 2880               | 23,5          | 53,8             | 1440    | 360       | DN 80 | 1225    | 850     | 195     | 168,3     | 30/50   |

\* Nominal flow at 7 bar g, m³/h related to 1 bar abs. and 20°C

\*\* without filter element

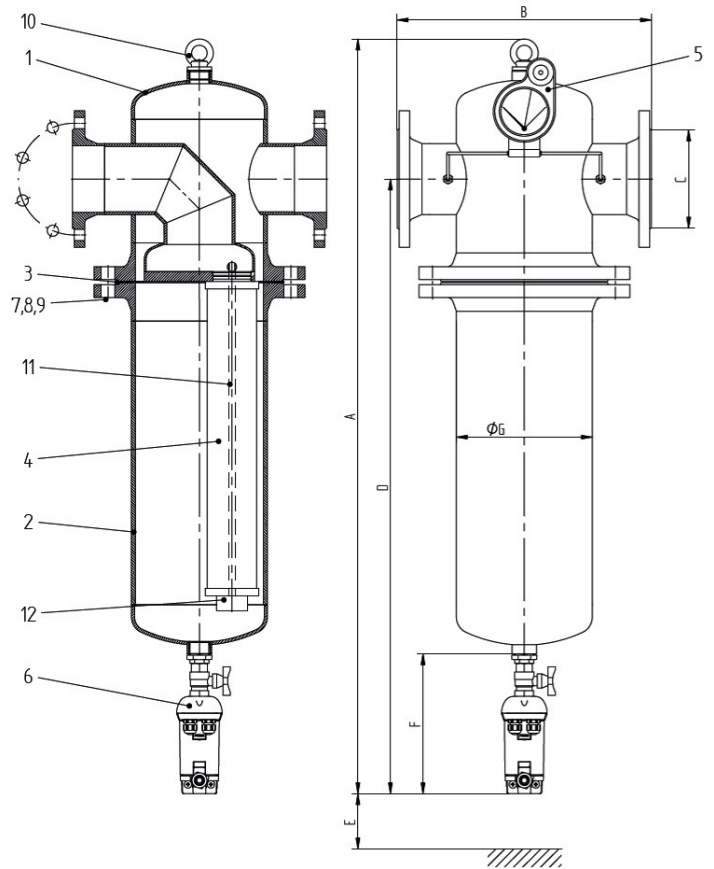
Technical Data Sheet



MATERIALS/ DIMENSIONS

SG SUPERPLUS 0432 SP - 0768 SP

| Pos. | Pcs. | Description        |
|------|------|--------------------|
| 1    | 1    | Upper housing bowl |
| 2    | 1    | Lower housing bowl |
| 3    | 1    | Housing gasket     |
| 4    | 1    | Filter element     |
| 5    | 1    | Economizer         |
| 6    | 1    | Drain UFM-D        |
| 7    | 1    | Hexagon bolt       |
| 8    | 1    | Hexagon nut        |
| 9    | 1    | Washer             |
| 10   | 1    | Lifting eye bolt   |
| 11   | 1    | Anchor bolt        |
| 12   | 1    | Knurled nut        |



| Materials filter housing |  |
|--------------------------|--|
| Filter housing           | Steel                                      |
| Econometer               | Polymer                                    |
| Condensate drain         | Aluminium / fiber-glass reinforced plastic |
| Sealings                 | Aramide fibers                             |
| Coating                  | Polyester resin, powder-coated             |

| Technical Data               |              |
|------------------------------|--------------|
| Max. operating pressure:     | 16 bar       |
| Test pressure:               | 24 bar       |
| Perm. operating temperature: | +1°C / +50°C |
| 16 bar                       | +1°C / +65°C |
| 15 bar                       |              |

| Sizing housing | Flow rate*<br>m³/h | Volume<br>(l) | Weight**<br>(kg) | A<br>mm | B±2<br>mm | C<br>DIN 2633 | D<br>mm | E<br>mm | F<br>mm | Ø G<br>mm | Element |
|----------------|--------------------|---------------|------------------|---------|-----------|---------------|---------|---------|---------|-----------|---------|
| 0432           | 4320               | 31            | 84               | 1215    | 410       | DN 100        | 990     | 580     | 225     | 219,1     | 3x20/30 |
| 0576           | 5760               | 40            | 94               | 1485    | 410       | DN 100        | 1260    | 850     | 225     | 219,1     | 3x30/30 |
| 0768           | 7680               | 70            | 134              | 1595    | 480       | DN 150        | 1330    | 875     | 225     | 273       | 4x30/30 |

\* Nominal flow at 7 bar g, m³/h related to 1 bar abs. and 20°C

\*\* without filter element

Technical Data Sheet

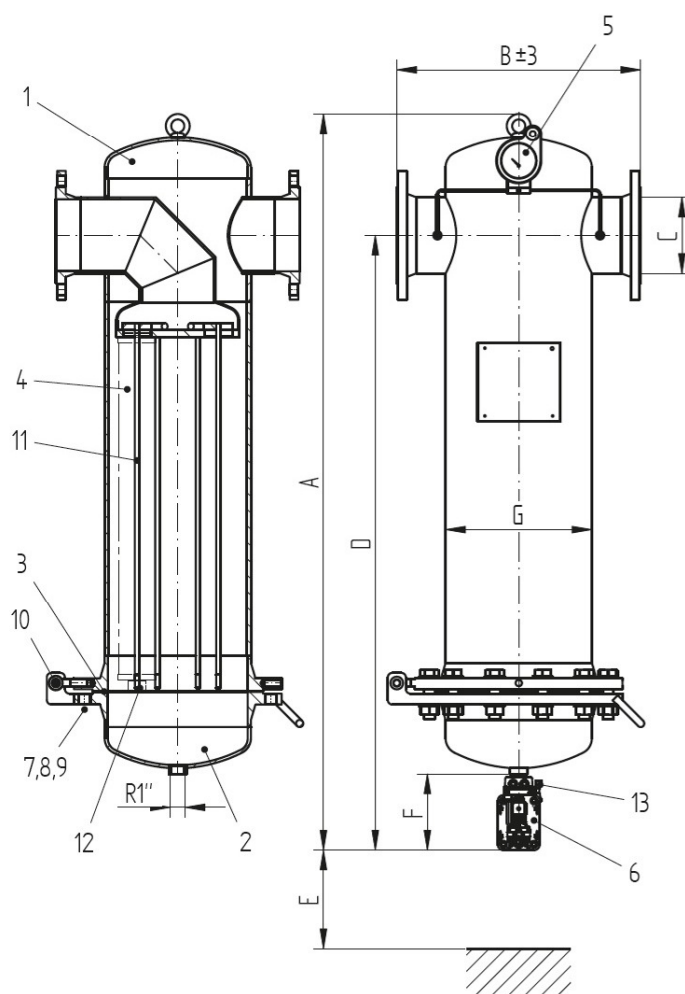


## MATERIALS/ DIMENSIONS

## SG SUPERPLUS 0432 SP - 3840 SP

| Pos. | Pcs. | Description        |
|------|------|--------------------|
| 1    | 1    | Upper housing bowl |
| 2    | 1    | Lower housing bowl |
| 3    | 1    | Housing gasket     |
| 4    | 1    | Filter element     |
| 5    | 1    | Econometer         |
| 6    | 1    | Drain UFM-D        |
| 7    | 1    | Hexagon bolt       |
| 8    | 1    | Hexagon nut        |
| 9    | 1    | Washer             |
| 10   | 1    | Lifting eye bolt   |
| 11   | 1    | Anchor bolt        |
| 12   | 1    | Knurled nut        |

| Materials filter housing |  |
|--------------------------|--|
| Filter housing           | Steel  |
| Econometer               | Polymer  |
| Condensate drain         | Aluminium /<br>fiber-glass<br>reinforced plastic |
| Sealings                 | Aramide fibers                                   |
| Coating                  | Polyester resin,<br>powder-coated                |



| Technical Data               |              |
|------------------------------|--------------|
| Max. operating pressure:     | 16 bar       |
| Test pressure:               | 22,9 bar     |
| Perm. operating temperature: | +1°C / +50°C |
| 16 bar                       | +1°C / +65°C |
| 15 bar                       |              |

| Sizing housing | Flow rate*<br>m³/h | Volume<br>(l) | Weight**<br>(kg) | A<br>mm | B±2<br>mm | C<br>DIN 2633 | D<br>mm | E<br>mm | F<br>mm | Ø G<br>mm | Element  |
|----------------|--------------------|---------------|------------------|---------|-----------|---------------|---------|---------|---------|-----------|----------|
| 1152           | 11520              | 107           | 167              | 1630    | 540       | DN 150        | 1370    | 875     | 175     | 323,9     | 6x30/30  |
| 1536           | 15360              | 192           | 263              | 1805    | 660       | DN 200        | 1460    | 875     | 175     | 406,4     | 8x30/30  |
| 1920           | 19200              | 192           | 263              | 1805    | 660       | DN 200        | 1460    | 875     | 175     | 406,4     | 10x30/30 |
| 2304           | 23040              | 335           | 402              | 2010    | 800       | DN 250        | 1615    | 875     | 235     | 508       | 12x30/30 |
| 3072           | 30720              | 335           | 402              | 2010    | 800       | DN 250        | 1615    | 875     | 235     | 508       | 16x30/30 |
| 3840           | 38400              | 516           | 592              | 2110    | 930       | DN 300        | 1685    | 900     | 235     | 600       | 20x30/30 |

\* Nominal flow at 7 bar g, m³/h related to 1 bar abs. and 20°C

\*\* without filter element

## Technical Data Sheet