

# Technical data sheet

## Type C101 low rate Control valve Pressure reducing valve

NB : Additional information is available on the data sheet listed as «Main valve».

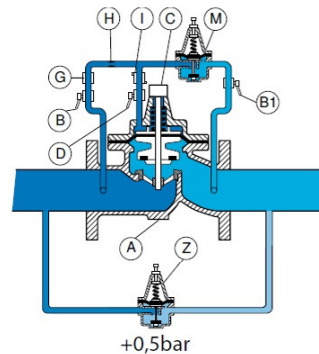
### Applications and general characteristics



- This valve controls and maintains a preset reduced downstream pressure regardless of variations in demand and upstream pressure (the setting of downstream pressure is always below the upstream pressure).
- This valve reduces the pressure in networks of water distribution, irrigation or pump outlet.
- Approvals : ACS - **WRAS**
- Thanks to the pressure reducing valve, the control valve do not have to react by low rates.

### Working principle

As soon as the downstream pressure decreases slowly, the pressure reducing valve reacts at first, followed by the control valve, if the flow rate is too important.



As soon as the downstream pressure rises, the control valve closes at first, followed by the pressure reducing valve.

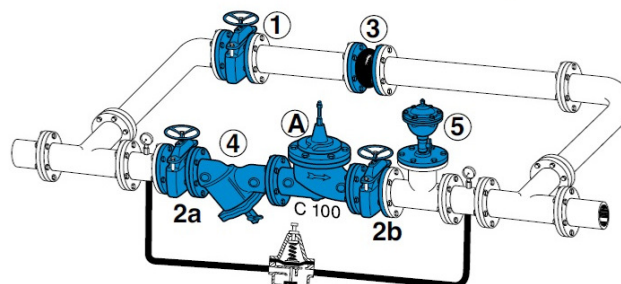
### Installation example and spare parts list

#### Setting range of the pressure reducing valve from 1 to 7 bars

Choice of pressure reducing valve : type 10

Main valve		Pressure reducing valve
DN - mm	Q min. - m <sup>3</sup> /h	DN
1 1/2	0,52	3/8"
40	0,675	3/8
50	0,675	3/8
65	0,855	3/8
80	1,6	1/2"
100	2,72	3/4"
125	4,4	1"
150	5,28	1"
200	13,5	1 1/2"
250	25	2 1/4"
300	40,9	3"

For an accepted flow velocity of maximum 3,5m/s



#### Setting range :

- 0,4 to 5,51 bar
- 1,72 to 8,5 bar (standard)
- 2,06 to 24,5 bar

#### Installation :

##### Installation :

- install a strainer upstream
- install an air relief valve downstream or at the high point near the control valve.
- horizontal setting up : the cap of the valve should be oriented to the top and inclined at 45° maximum.
- vertical setting up : change the spring of the main valve (option 7).

#### Other types :

- FKM seals in the main valve and in the pilot
- 316TI stainless steel fittings

N°	Description	Materials
A	Main valve	Ductile iron (except DN 125 : cast iron)
B	Upstream isolation valve	nickel-plated brass
B1	Downstream isolation valve	nickel-plated brass
C	Position indicator with drain	Stainless steel-brass
D	Chamber isolation valve	nickel-plated brass
G	Filter	Brass
H	Orifice needle valve	Stainless steel or brass
I	Flow control	Brass
M	Pilot C101	Brass-stainless steel-bronze
Z	Pressure reducing valve type 10	Bronze
1	Isolation valve of the by-pass	
3	Rubber expansion joint	
2a	Upstream isolation valve of the main water pipe	
2b	Downstream isolation valve of the main water pipe	
4	Filter	
5	Single function air valve	